

CONDENSING UNIT SPECIFICATION SHEET

Condensing Unit Details

Model JEHS-1150-B4-L-3 EVI
Application Low Temperature

Electrical Supply

400V / 3Ph / 50Hz

Weights & Dimensions

Width 1348 mm
Depth 612 mm
Height 1727 mm
Mounting Dims. 940 mm (W) x 560 mm (D)
Weight (Dry) 211 kgs

Compressor Data

Type ZFI36KQE-TFD-EVI
Swept Volume 21.40 m³/h
Oil Charge 1.90 litres
Nom. Current (A) 8.9
MCC (A) 20.5
LRC (A) 102.0

Oil Separator

Oil Charge 0.60 litre

Fan Motors

No. 2
FLC (A) 1.8 (2x 0.9)

Condenser Coil

Type Al-Cu Fin/Tube
Volume 8.73 litres

Liquid Receiver

Volume 13.6 litres

Airflow

Volume 8500 m³/h

Applicable Refrigerants

R404A/R407A/R407F/R448A/R449A

Unit Connections

Liquid 1/2"
Suction 1 1/8"

Sound Pressure Level @ 10m (-25°C/+32°C)

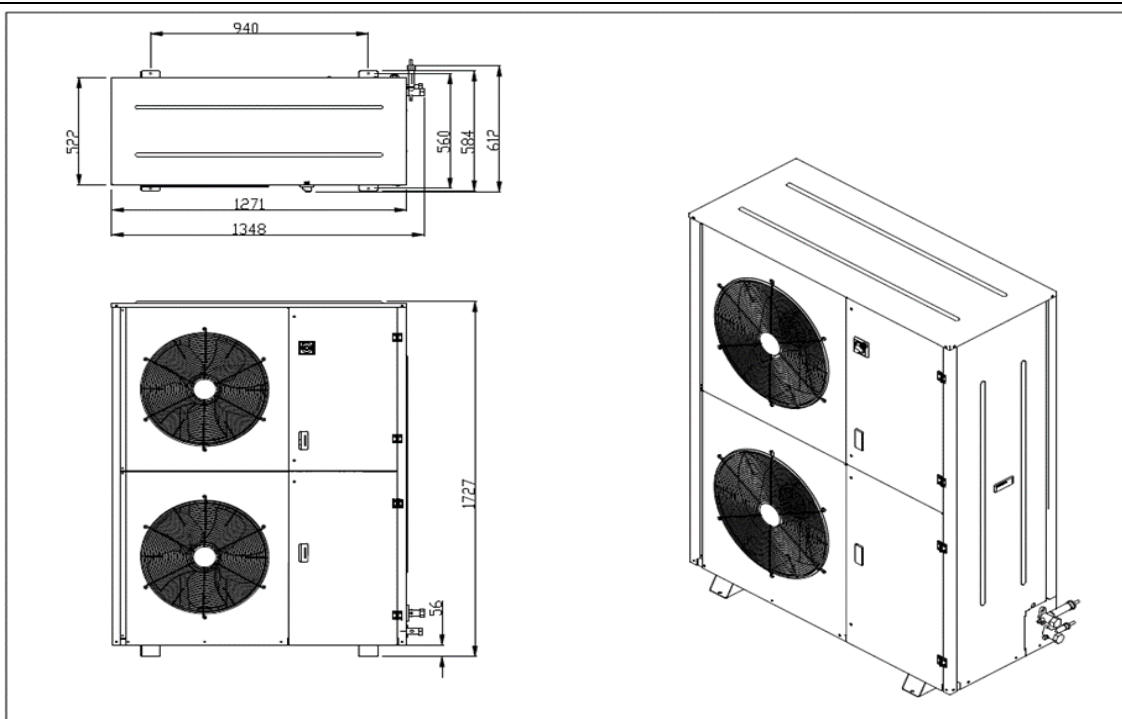
42 dB(A)

Performance Data at -35°C/+32°C Conditions

	Capacity (W) 10K SH	Capacity (W) 20°C RGT
R404A	7460	n/a
R407A	6240	n/a
R407F	6250	n/a
R448A	6230	n/a
R449A	6230	n/a

1/1 Octave Sound Pressure Levels @ 1 meter from the unit

Frequency							
125 Hz	250 Hz	500 Hz	1 kHz	2 kHz	4 kHz	8 kHz	A (dBA)
63.6	62.5	60.4	57.6	52.9	46.6	36.7	62.2



Product Information based on the requirements of Commission Regulation EU 2015/1095

Model : JEHS-1150-B4-L-3 EVI

Refrigerant fluid:		R404A	R407A	R407F	R448A	R449A	
Item	Symbol	Value					Unit
Evaporating temperature*	t	-35					°C
Annual electricity consumption	Q	31285	27194	26120	27131	27131	kWh/a
Seasonal Energy Performance Ratio	$SEPR$	1.78	1.68	1.78	1.71	1.71	
Parameters at full load and ambient temperature 32 °C							
(Point A)							
Rated cooling capacity	P_A	7.46	6.24	6.25	6.23	6.23	kW
Rated power input	D_A	5.30	4.45	4.32	4.34	4.34	kW
Rated COP	COP_A	1.41	1.40	1.45	1.44	1.44	
Parameters at part load and ambient temperature 25 °C							
(Point B)							
Declared cooling capacity	P_B	7.73	6.44	6.46	6.46	6.46	kW
Declared power input	D_B	4.70	3.83	3.66	3.81	3.81	kW
Declared COP	COP_B	1.64	1.68	1.77	1.70	1.70	
Parameters at part load and ambient temperature 15 °C							
(Point C)							
Declared cooling capacity	P_C	7.91	6.48	6.53	6.53	6.53	kW
Declared power input	D_C	4.34	3.64	3.44	3.65	3.65	kW
Declared COP	COP_C	1.82	1.78	1.90	1.79	1.79	
Parameters at part load and ambient temperature 5 °C							
(Point D)							
Declared cooling capacity	P_D	8.09	6.48	6.52	6.55	6.55	kW
Declared power input	D_D	4.00	3.64	3.44	3.54	3.54	kW
Declared COP	COP_D	2.02	1.78	1.90	1.85	1.85	
Parameters at full load and ambient temperature 43 °C							
Cooling capacity	P_3	7.12	N/A	N/A	N/A	N/A	kW
Power input	D_3	6.55	N/A	N/A	N/A	N/A	kW
Declared COP	COP_3	1.09	N/A	N/A	N/A	N/A	
Other items							
Capacity control		Fixed					
Coefficient of degradation for fixed and staged capacity units*	Cd	0.25					
Contact details	Daikin Refrigeration Malaysia Sdn. Bhd. Lot 10, Jalan Perusahaan 8, Kawasan Perusahaan Pekan Banting, 42700 Banting, Selangor Darul Ehsan.						

Note: Published data based on condition - superheat 10K.



6SC1150EL-FBBA-55