

Condensing Unit Details

Model	JEHS-1300-B4-M-3
Application	Medium Temperature

Electrical Supply

400V / 3Ph / 50Hz

Weights & Dimensions

Width	1348 mm
Depth	612 mm
Height	1727 mm
Mounting Dims.	940 mm (W) x 560 mm (D)
Weight (Dry)	238 kgs

Compressor Data

Type	ZB95K5E-TFD
Swept Volume	36.40 m ³ /h
Oil Charge	3.37 litres
Nom. Current (A)	20.2
MCC (A)	34.0
LRC (A)	140.0

Oil Separator

Oil Charge	0.6 litre
------------	-----------

Fan Motors

No.	2
FLC (A)	1.8 (2x 0.9)

Condenser Coil

Type	Al-Cu Fin/Tube
Volume	12.84 litres

Liquid Receiver

Volume	13.6 litres
--------	-------------

Airflow

Volume	8,200 m ³ /h
--------	-------------------------

Applicable Refrigerants

R134a/R404A/R407A/R407F/R448A/R449A

Unit Connections

Liquid	3/4"
Suction	1-3/8"

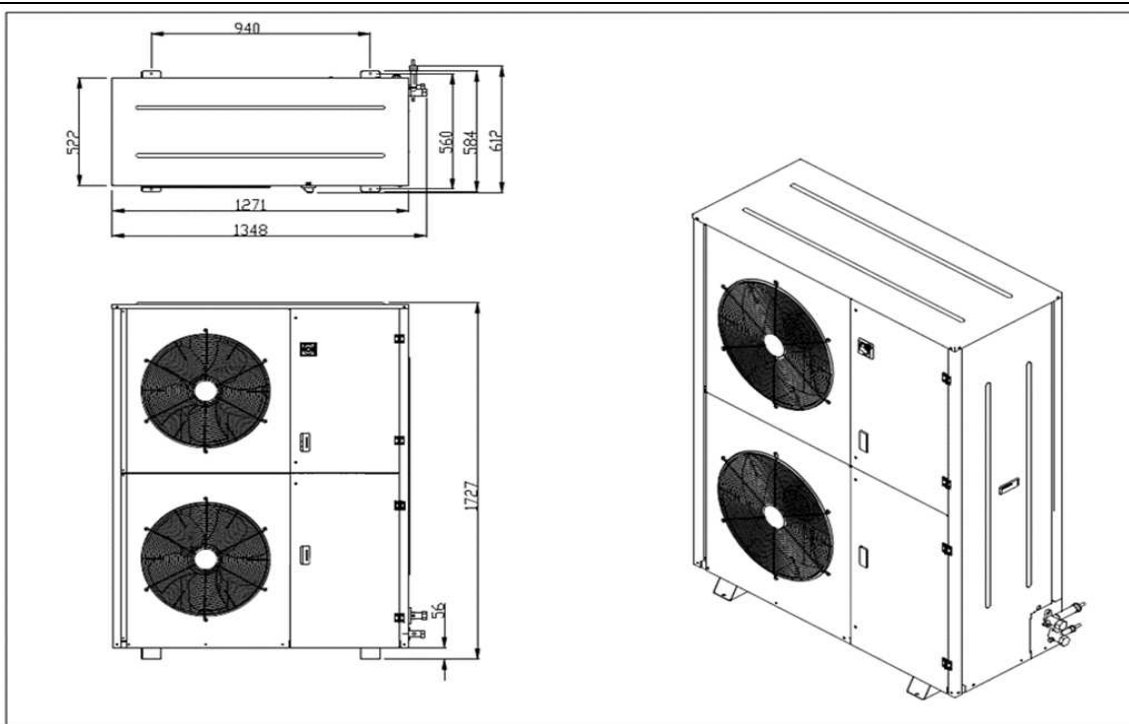
Sound Pressure Level @ 10m (-10°C/+32°C)

46 dB(A)

Performance Data at -10°C/+32°C Conditions

	Capacity (W) 10K SH	Capacity (W) 20°C RGT
R134a	13044	13519
R404A	20405	22029
R407A	18921	n/a
R407F	20911	n/a
R448A	19165	19909
R449A	19165	19909

1/1 Octave Sound Pressure Levels @ 1 meter from the unit							
Frequency							
125 Hz	250 Hz	500 Hz	1 kHz	2 kHz	4 kHz	8 kHz	A (dBA)
74.2	67.7	62.7	59.8	54.5	47.2	39.4	65.7



Product Information based on the requirements of Commission Regulation EU 2015/1095

Model : JEHS-1300-B4-M-3

Refrigerant fluid:		R404A	R407A	R407F	R448A	R449A	R134a	
Item	Symbol	Value						Unit
Evaporating temperature*	t	-10						°C
Annual electricity consumption	Q	43021	N/A	N/A	41254	41254	26938	kWh/a
Seasonal Energy Performance Ratio	$SEPR$	3.15	N/A	N/A	2.97	2.97	3.09	
Parameters at full load and ambient temperature 32°C								
(Point A)								
Rated cooling capacity	P_A	22.03	N/A	N/A	19.91	19.91	13.52	kW
Rated power input	D_A	11.02	N/A	N/A	10.89	10.89	6.11	kW
Rated COP	COP_A	2.00	N/A	N/A	1.83	1.83	2.21	
Parameters at part load and ambient temperature 25°C								
(Point B)								
Declared cooling capacity	P_B	24.836	N/A	N/A	22.323	22.323	14.482	kW
Declared power input	D_B	9.525	N/A	N/A	9.319	9.319	5.446	kW
Declared COP	COP_B	2.61	N/A	N/A	2.40	2.40	2.66	
Parameters at part load and ambient temperature 15°C								
(Point C)								
Declared cooling capacity	P_C	27.792	N/A	N/A	24.757	24.757	15.640	kW
Declared power input	D_C	8.049	N/A	N/A	7.664	7.664	4.703	kW
Declared COP	COP_C	3.45	N/A	N/A	3.23	3.23	3.33	
Parameters at part load and ambient temperature 5°C								
(Point D)								
Declared cooling capacity	P_D	30.055	N/A	N/A	26.495	26.495	16.591	kW
Declared power input	D_D	7.043	N/A	N/A	6.479	6.479	4.147	kW
Declared COP	COP_D	4.27	N/A	N/A	4.09	4.09	4.00	
Parameters at full load and ambient temperature 43°C								
Cooling capacity	P_3	N/A	N/A	N/A	N/A	N/A	11.50	kW
Power input	D_3	N/A	N/A	N/A	N/A	N/A	7.55	kW
Declared COP	COP_3	N/A	N/A	N/A	N/A	N/A	1.52	
Other items								
Capacity control		Fixed						
Coefficient of degradation for fixed and staged capacity units*	C_d	0.25						
Contact details	Daikin Refrigeration Malaysia Sdn. Bhd. Lot 10, Jalan Perusahaan 8, Kawasan Perusahaan Pekan Banting, 42700 Banting, Selangor Darul Ehsan.							

Note: Published data based on condition - Return Gas Temperature 20°C



6SC1300EM-FBBA-55