

Condensing Unit Details

Model JEHS-1400-B4-L-3 EVI
 Application Low Temperature

Electrical Supply

400V / 3Ph / 50Hz

Weights & Dimensions

Width 1348 mm
 Depth 612 mm
 Height 1727 mm
 Mounting Dims. 940 mm (W) x 560 mm (D)
 Weight (Dry) 235 kgs

Compressor Data

Type ZF34K5E-TFD-EVI
 Swept Volume 29.10 m³/h
 Oil Charge 3.37 litres
 Nom. Current (A) 13.7
 MCC (A) 24.0
 LRC (A) 100.0

Oil Separator

Oil Charge 0.60 litre

Fan Motors

No. 2
 FLC (A) 1.8 (2x 0.9)

Condenser Coil

Type Al-Cu Fin/Tube
 Volume 12.84 litres

Liquid Receiver

Volume 13.6 litres

Airflow

Volume 8200 m³/h

Applicable Refrigerants

R407A/R448A/R449A

Unit Connections

Liquid 1/2"
 Suction 1 3/8"

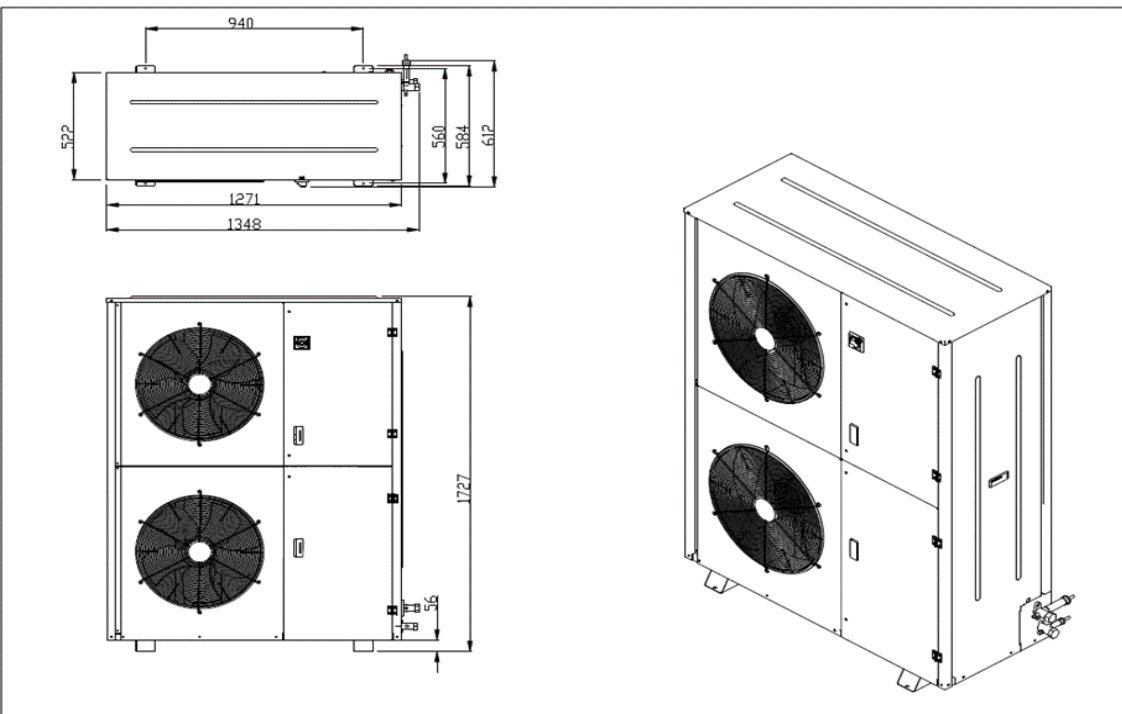
Sound Pressure Level @ 10m (-25°C/+32°C)

44 dB(A)

Performance Data at -35°C/+32°C Conditions

	Capacity (W) 10K SH	Capacity (W) 20°C RGT
R407A	7846	n/a
R448A	7839	n/a
R449A	7839	n/a

1/1 Octave Sound Pressure Levels @ 1 meter from the unit							
Frequency							
125 Hz	250 Hz	500 Hz	1 kHz	2 kHz	4 kHz	8 kHz	A (dBA)
70.9	67.0	61.6	58.0	52.5	46.9	37.6	64.2



Product Information based on the requirements of Commission Regulation EU 2015/1095

Model : JEHS-1400-B4-L-3 EVI

Refrigerant fluid:		R407A	R448A	R449A	
Item	Symbol	Value			Unit
Evaporating temperature*	t	-35			°C
Annual electricity consumption	Q	30959	34918	34918	kWh/a
Seasonal Energy Performance Ratio	$SEPR$	1.89	1.67	1.67	
Parameters at full load and ambient temperature 32 °C					
(Point A)					
Rated cooling capacity	P_A	7.85	7.84	7.84	kW
Rated power input	D_A	6.35	6.86	6.86	kW
Rated COP	COP_A	1.23	1.14	1.14	
Parameters at part load and ambient temperature 25 °C					
(Point B)					
Declared cooling capacity	P_B	8.14	8.20	8.20	kW
Declared power input	D_B	5.39	5.88	5.88	kW
Declared COP	COP_B	1.51	1.39	1.39	
Parameters at part load and ambient temperature 15 °C					
(Point C)					
Declared cooling capacity	P_C	8.54	8.50	8.50	kW
Declared power input	D_C	4.35	4.94	4.94	kW
Declared COP	COP_C	1.96	1.72	1.72	
Parameters at part load and ambient temperature 5 °C					
(Point D)					
Declared cooling capacity	P_D	8.90	8.70	8.70	kW
Declared power input	D_D	3.88	4.32	4.32	kW
Declared COP	COP_D	2.30	2.01	2.01	
Parameters at full load and ambient temperature 43 °C					
Cooling capacity	P_3	N/A	N/A	N/A	kW
Power input	D_3	N/A	N/A	N/A	kW
Declared COP	COP_3	N/A	N/A	N/A	
Other items					
Capacity control		Fixed			
Coefficient of degradation for fixed and staged capacity units*	Cd	0.25			
Contact details	Daikin Refrigeration Malaysia Sdn. Bhd. Lot 10, Jalan Perusahaan 8, Kawasan Perusahaan Pekan Banting, 42700 Banting, Selangor Darul Ehsan.				

Note: Published data based on condition - superheat 10K.



6SC1400EL-FBBA-55